

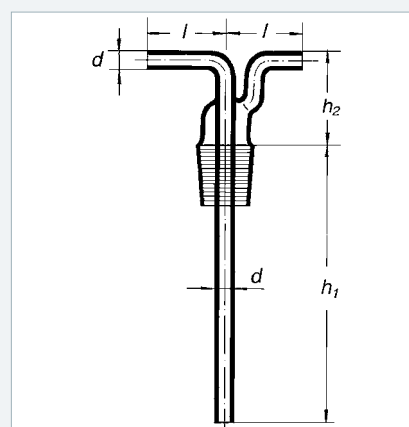
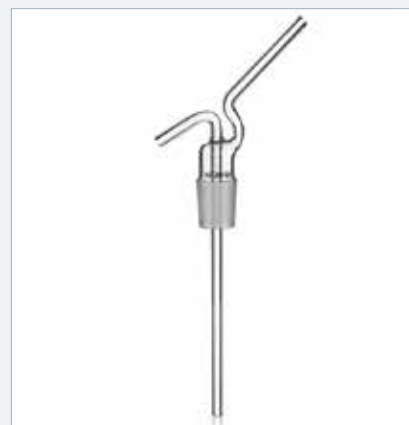
**ADAPTORS FOR
BOTTLES GAS WASHING,
DRECHSLER, SJ 29/32**

**AUFSÄTZE FÜR
GASWASCHFLASCHEN**

nach Drechsler, NS 29/32

Cat. No. 8163

| Catalog No. Katalog-Nr. | d (mm) | h1 (mm) | h2 (mm) | l (mm) | Packing (pcs) Packung (Stück) |
|----------------------------|--------|---------|---------|--------|----------------------------------|
| 1632441634080 | 8 | 180 | 50 | 40 | 10 |



**BOTTLES GAS WASHING
WITH SINTERED DISC**

Typical use: cleaning (washing) gas.

**FRITTEN –
WASCHFLASCHE**

Typische Verwendung: Reinigung
(Waschen) von Gas.

Cat. No. 815

| Catalog No. Katalog-Nr. | Granulity Korngröße | Capacity (ml) Kapazität | h (mm) | h1 (mm) | SJ2 | Packing (pcs) Packung (Stück) |
|----------------------------|------------------------|----------------------------|--------|---------|-------|----------------------------------|
| 1632442281102 | s1 | 100 | 20 | 250 | 29/32 | 1 |
| 1632442281202 | s2 | 100 | 20 | 250 | 29/32 | 1 |
| 1632442281103 | s1 | 250 | 30 | 250 | 45/40 | 1 |
| 1632442281203 | s2 | 250 | 30 | 250 | 45/40 | 1 |

