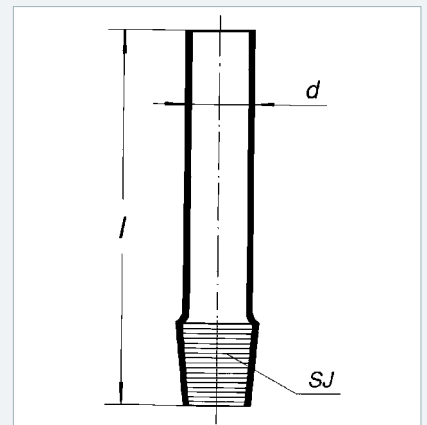


NZ CONE

NORMSCHLIFF-KERN

Cat. No. 8120				
Catalog No. Katalog-Nr.	SJ NS	d (mm)	l (mm)	Packing (pcs) Packung (Stück)
1632441503010	5/13	5	120	10
1632441503020	7/16	7	120	10
1632441503030	10/19	8	120	10
1632441503040	12/21	11	120	10
1632441503050	14/23	13	120	10
1632441503060	19/26	17	150	10
1632441503070	24/29	22	150	10
1632441503080	29/32	26	150	10
1632441503090	34/35	30	150	10
1632441503100	40/38	36	150	10
1632441503110	45/40	40	150	10
1632441503120	50/42	46	150	10
1632441503130	60/46	56	200	10
1632441503140	71/51	65	200	10
1632441503150	85/55	80	200	10
1632441503160	100/60	90	200	10



SJ SOCKET

NORMSCHLIFF - HÜLSE

extended

Cat. No. 8121				
Catalog No. Katalog-Nr.	SJ NS	d (mm)	l (mm)	Packing (pcs) Packung (Stück)
1632441504080	29/32	26	150	10

